

BSC A4/A6

bancor
Thinking quality for innovation

BSC A4/A6

A new "ATM reader"

With more than fifty year of experience in the field, **bancor** releases a new series of ATM readers: BSC A4 and BSC A6 are devices with a new and revolutionary performance for an automatic electronic management of documents directly at your kiosk, self-service systems or ATM with retract functionality of documents.

Optimized Electronic Management

Images, documents and related data, can be easily transmitted in real time to your systems or stored in a data base. Our BSC readers satisfy the high market standards in terms of quality, reliability and performance.

Some examples of managed documents

- banking documents, checks, bills, coupons, etc..
- proxies; bank deposit slips, post office deposit slips, ID cards, driving licenses, rigid cards, plastic-coated documents
- And many more...

Image Quality

Resolution is automatically optimized according to data decoding.

- Contact Image Sensor (CIS) for dual side image capture
- Resolution: - Grayscale: 256 levels, up to 600 dpi
- Color: 24 bit, up to 600 dpi
- Image format: Tiff (G3,G4), Jpeg, Bmp e Pdf
- Autocrop: automatic removal of borders
- Auto deskew: automatic rotation
- Rotate: Rotation

Maintenance

bancor cleaning KIT with a specific procedure. MTTR extremely reduced thanks to easy accessibility to all components.

Dimension & Weight

Extremely light and compact:

	BSC A4	BSC A6
HxLxW [mm]*	70x310x110	70x200x110
HxLxW [in]*	2.75x12.2x4.33	2.75x7.87x4.33
Weight	2.3 Kg (5.07 P)	1.7 Kg (3.75 P)

* without support plate



Certifications

UL / CAS / FCC Class B / CE



Environmental Sustainability

Energy star - WEEE e RoHS



Document Specification BSC A4

- Maximum size: A4 21 x 29.7 cm (8.26"x11.81")
- Minimum size: 8.5 x 7.0 cm (3.34"x2.75")
- Thickness: 18-300 gr/m² (5 -79 lb)

Document Specification BSC A6

- Maximum size: 11 x 30 cm (4.33"x11.81")
- Minimum size: 8.5 x 7.0 cm (3.34"x2.75")
- Thickness: 18-300 gr/m² (5 -79 lb)

Software

- **bancor Console** for document management and decoding

Reading Font and Software Optional

- CMC7,CMC0, E13B, OCR A, OCR B, OMR
- Linear and Bi-dimensional Bar Code: PDF417, EAN8, EAN13, 39, 25, 128, 93, UPCA, UPCE, CODABAR
- **bancor IDdoc** for ICAO passports and ID documents
- **bancor F24Easy** to read Italian F24 tax module integrated with Auriga
- **bancor Microhole** for physical reading of microhole
- and many others

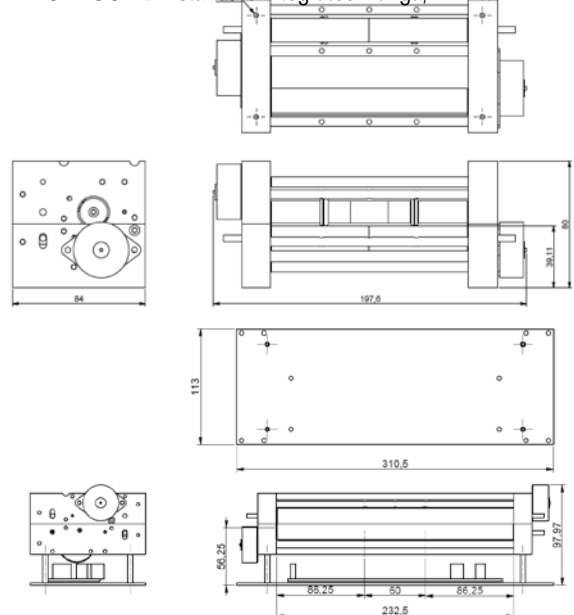
Technical Specifications

- HW Interface: USB 2.0 (compatibile USB 1.1), LAN network interface
- SW Interface: **bancor** SDK-API
- Power: from 100 to 240 VAC, 50-60 Hz.
- Operating conditions: 10°-40° C, (50°-140° F), 0-80% R.H.
- Jogger system (Hardware Automatic aligning paper feeding)
- Double feeding detection
- Operating Systems (32 & 64 bit): Windows® 8.x, Windows® 10, CITRIX Ready
- Linux and Android available



Additional Options

- 96 dpi inkjet Printer
- 300 dpi inkjet Printer
- MicroHole technology
- MICR
- Front Introducer with flashing lamp (customs color on request)
- ADF Automatic Document Feeder (only on BSC A6)
- Transport for inserting checks in the strongbox (only on BSC A6)
- LAN interface network
- XFS/WOSA 3.2 standard integrated Auriga, KAL & APTRA



Company with Quality System certified by Datas and Environment-Register SpA in accordance with ISO 9001:2008 and ISO 14001:2004, numbers IQ-0311-05 and IE-0711-01. Copyright © 2021 bancor. All Rights Reserved. Specifications may change without previous notice. All contents may not be reproduced without the expressed permission of bancor s.r.l.

bancor

Thinking quality for innovation

bancor s.r.l.
 20129 Milano - Via Vanvitelli, 44
 tel +39 022664215 - fax +39 022362992
 00196 - Roma - Via Cesare Beccaria, 16
 tel +39 063203597
info@bancor.it - www.bancor.it

